

取样阀 Sampling Valve



取样阀 Sampling Valve

应用:

取样阀主要用于罐设备或管道里面的物料样品采集,也可安装在罐设备或管道的最低点用来排泄残留液。

Application:

Sample valve is applied to extract sample from tank or pipeline. It also can be assembled at the bottom of the tank or pipeline to drain away the residual liquid.

操作原理:

手轮沿逆时针旋转,阀杆连同密封圈升起,阀门被开启取样;手轮沿顺时针旋转,阀杆连同密封圈下降此时阀门被关闭。

Operating Principle:

When turn the hand wheel anti-clockwise, the valve shaft and seal rise up. Valve will be opened for sampling. When turn the hand wheel clockwise, the valve shaft and seal go down, the valve will be closed.

技术参数:

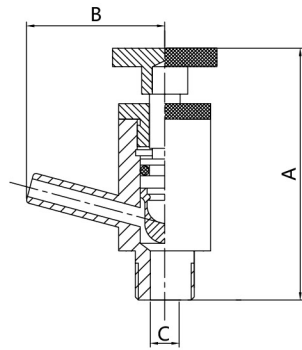
接口方式: 螺纹, 卡箍, 焊接
最大压力: 8 bar
阀体材质: 304/316L
密封材质: PTFE, EPDM, Silicone
温度: 最高的灭菌消毒温度 - 干蒸汽: 121-134°。确保蒸汽是干的, 否则冷凝水会损坏密封圈。我们建议每 100 次取样或灭菌处理之后更换密封圈。



Technical Details:

Connections: thread, clamp, weld
Max. Pressure: 8 bar
Body material: 304/316L
Seal material: PTFE, EPDM, Silicone
Temperature: Max. temperature sterilization disinfection-dry steam: 121-134°. Make sure the steam is dry, or the condensate will damage the seal ring. We recommend that the sealing ring should be replaced after every 100 times sampling or sterilization.

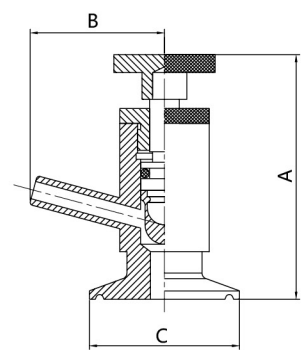
取样阀 Sampling Valve



取样阀
Sampling Valve

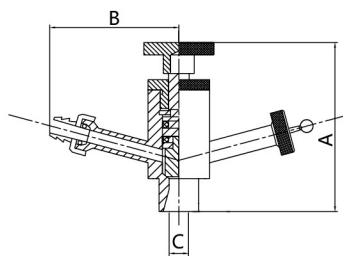
| SIZE | A | B | C |
|------|----|----|-----|
| DN15 | 80 | 45 | 9.4 |

快装取样阀
Sampling Valve Clamp End



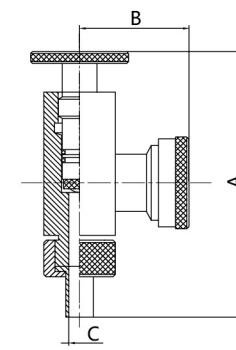
| SIZE | A | B | C |
|-----------|----|----|------|
| 1/2"-3/4" | 83 | 45 | 25.2 |
| 1"-1.5" | 83 | 45 | 50.5 |

无菌取样阀
Aseptic Sampling Valve



| SIZE | A | B | C |
|------|----|----|---|
| DN10 | 80 | 39 | 8 |

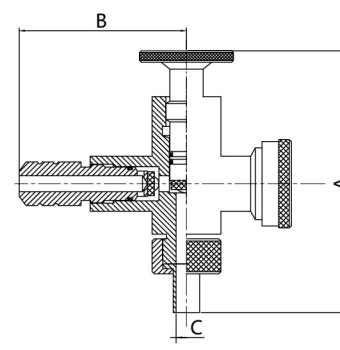
取样阀 Sampling Valve



液体取样阀 (上考克)
Level Gauge (Top)

| SIZE | A | B | C |
|------|-----|----|---|
| DN15 | 118 | 52 | 8 |

液体取样阀 (下考克)
Level Gauge With Sampling Valve



| SIZE | A | B | C |
|------|-----|----|---|
| DN15 | 118 | 73 | 8 |